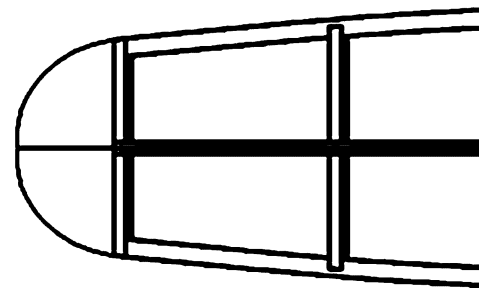
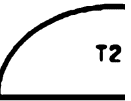
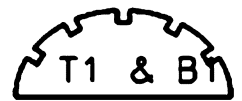


Str

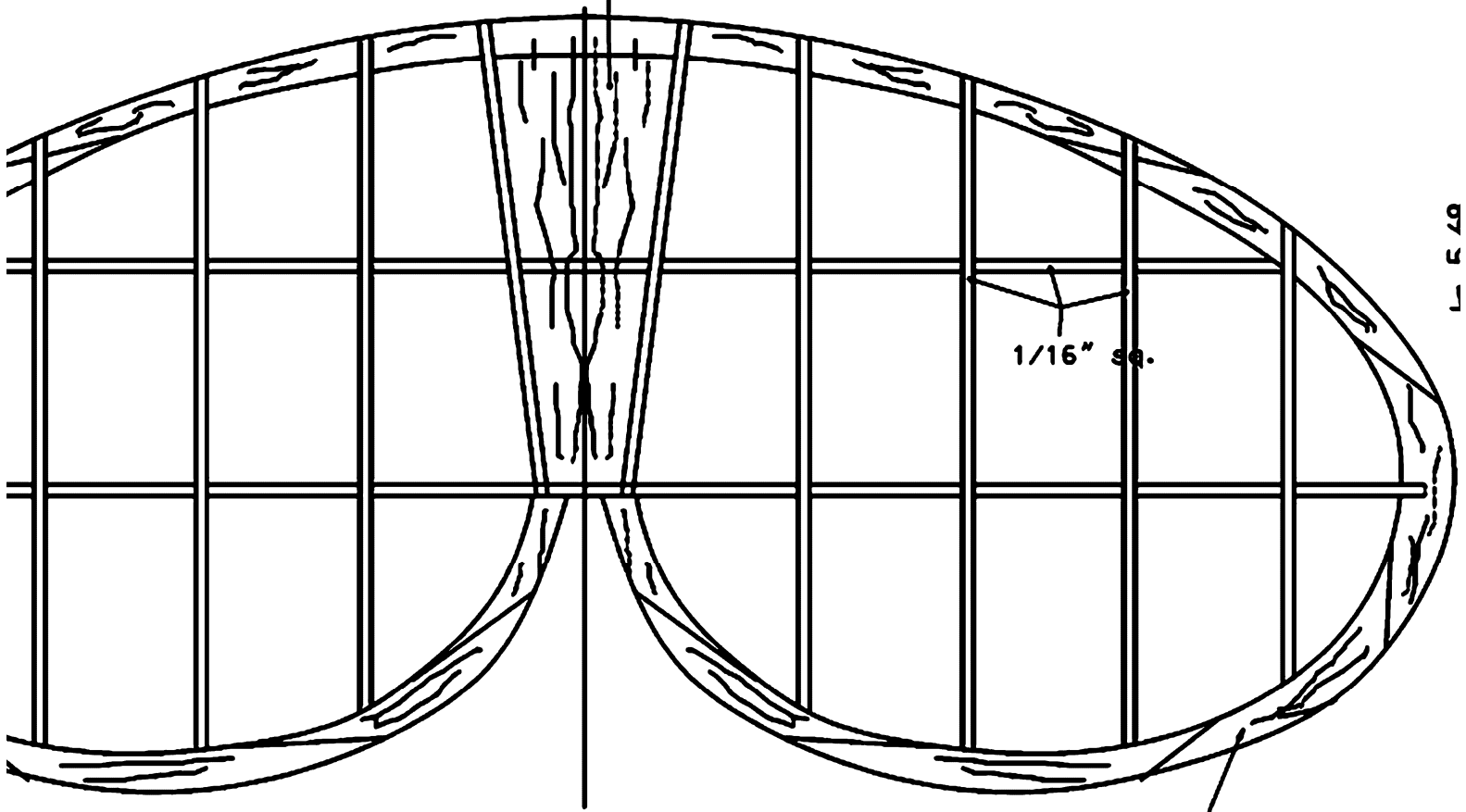


T1

T2



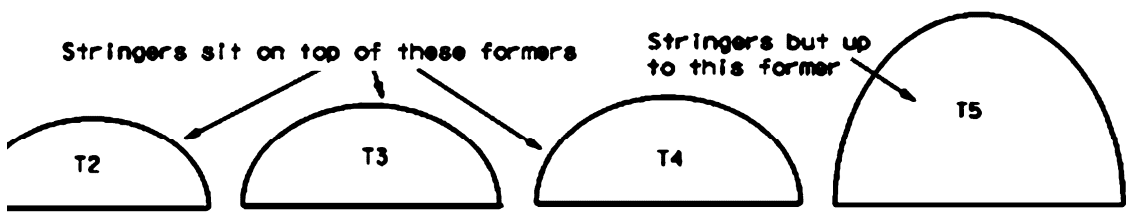
1/16" sheet top & bottom



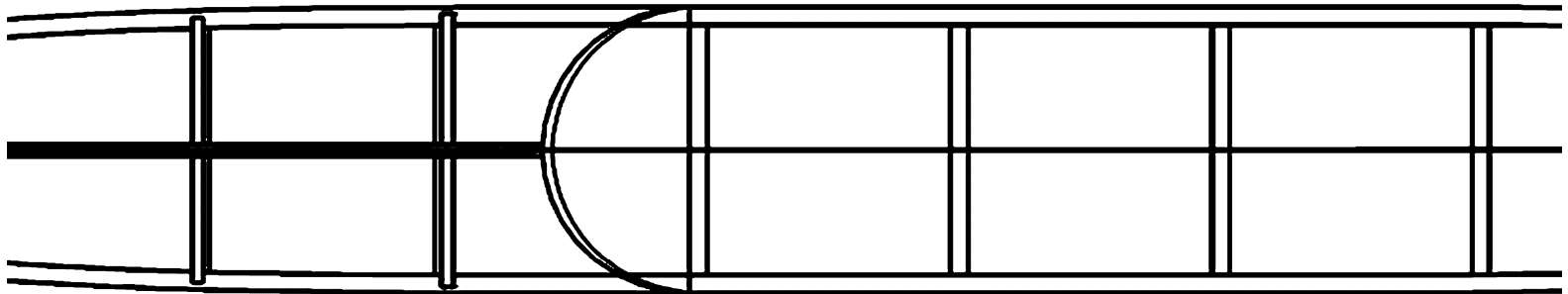
Outlines 1/16" b

Stringers sit on top of these formers

Stringers but up to this former



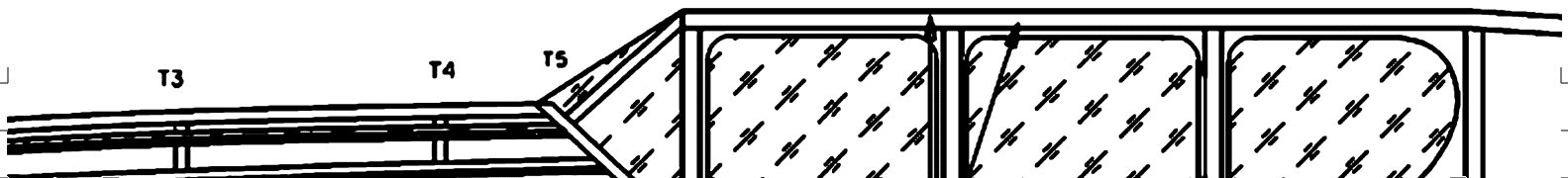
All formers 1/16" balsa

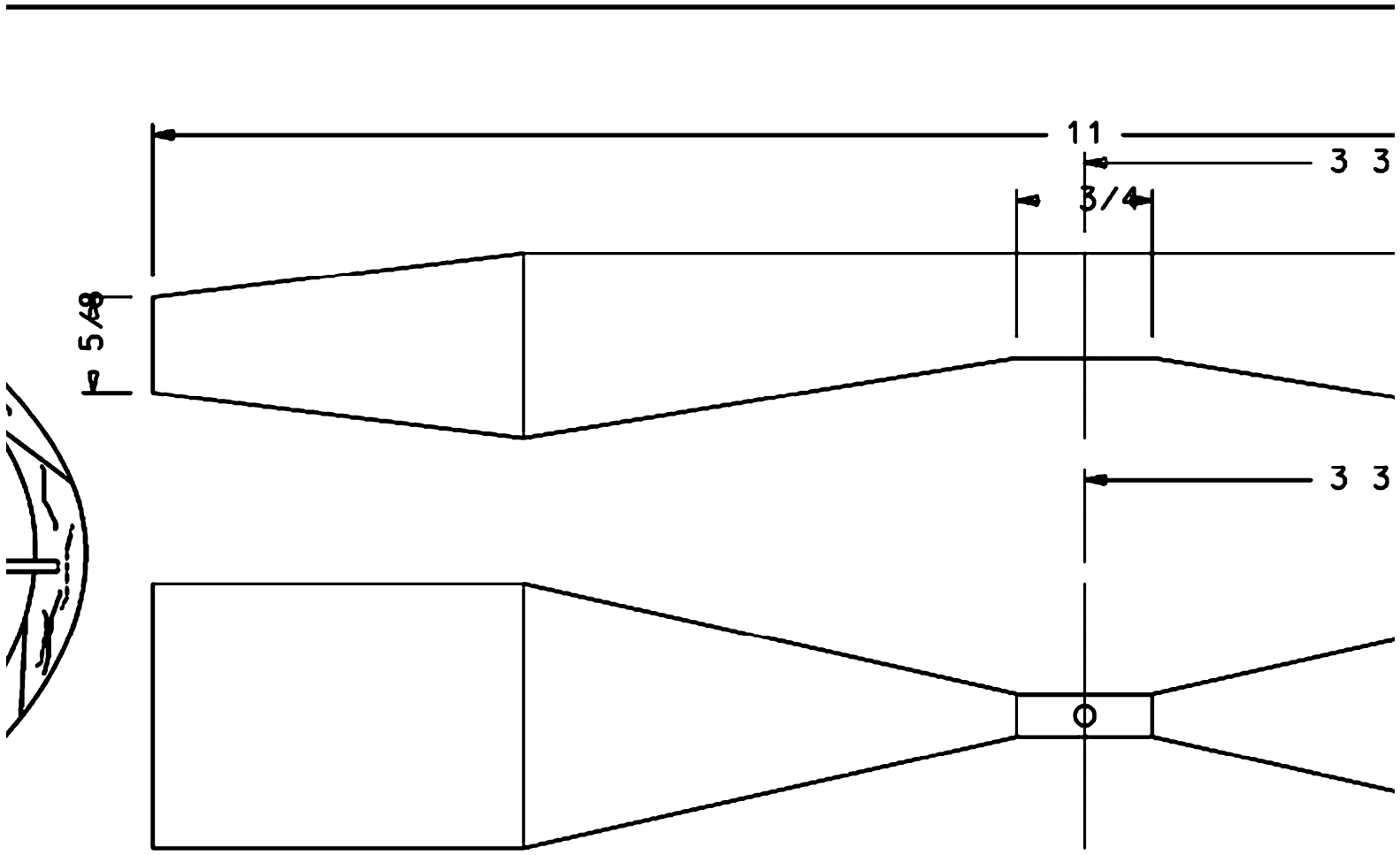


T3

T4

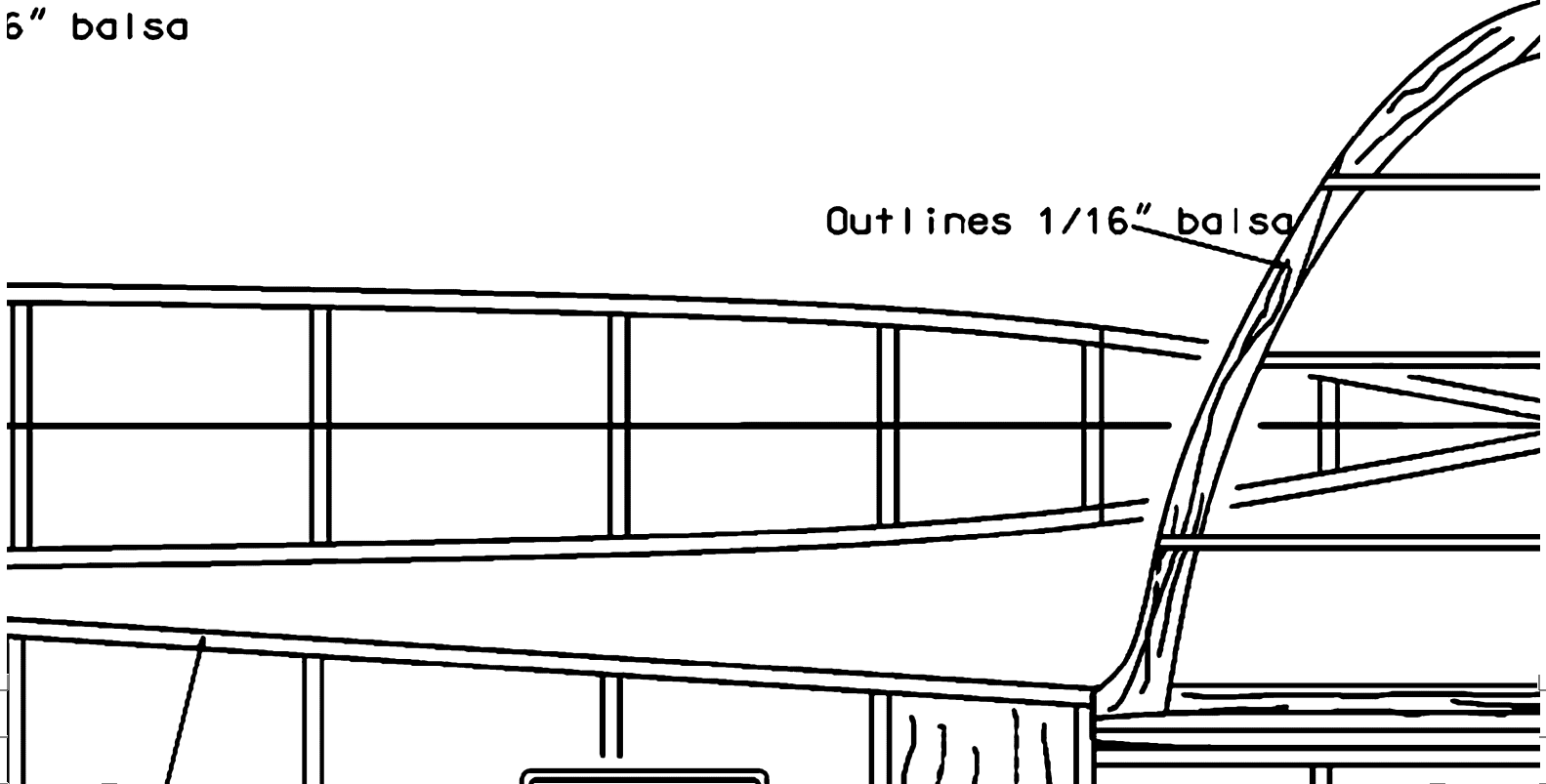
T5

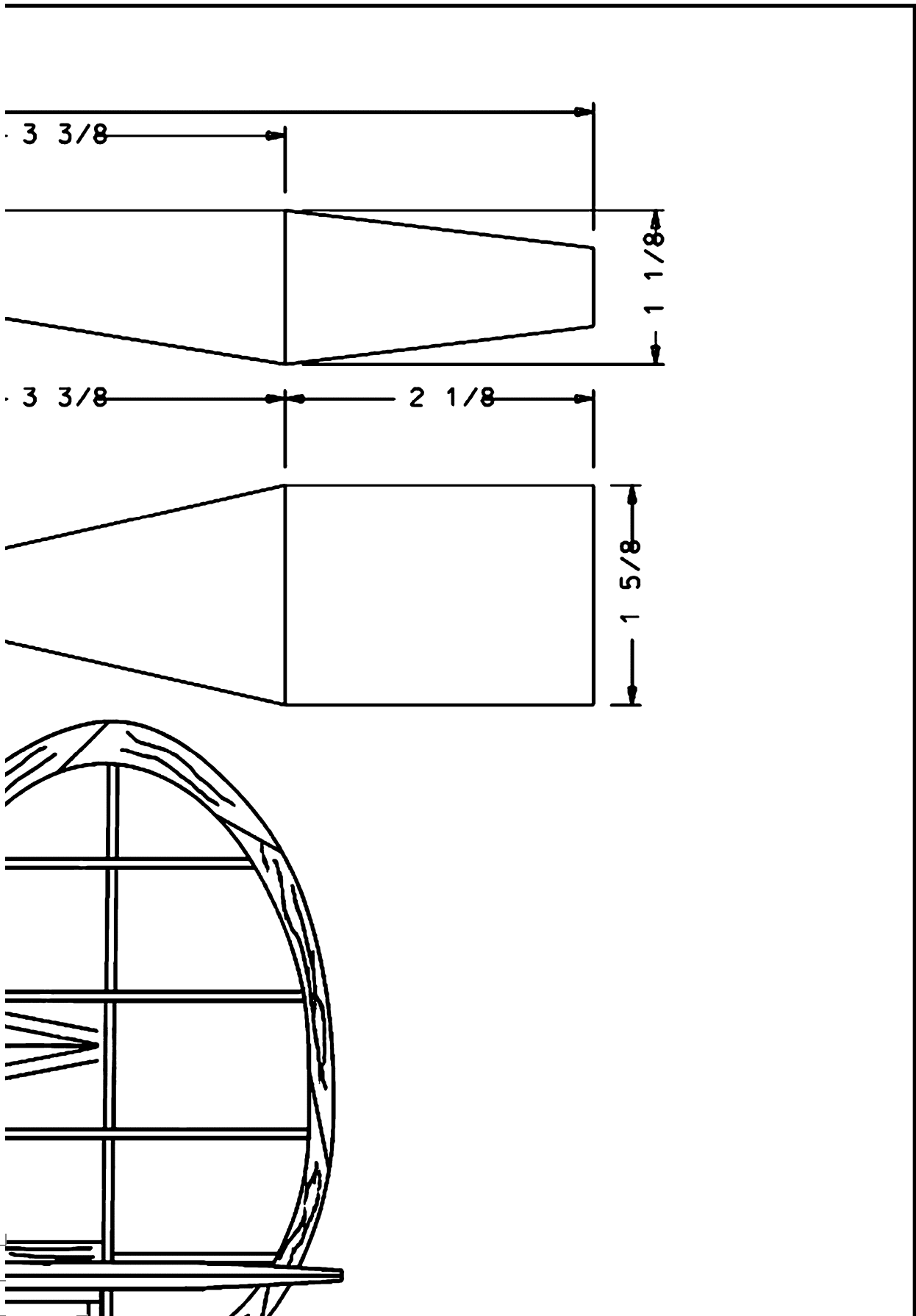


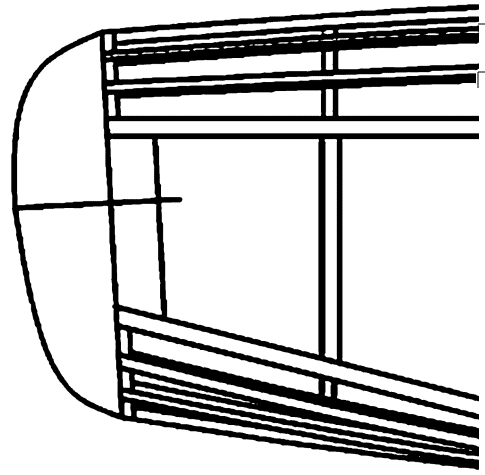


6" balsa

Outlines 1/16" balsa



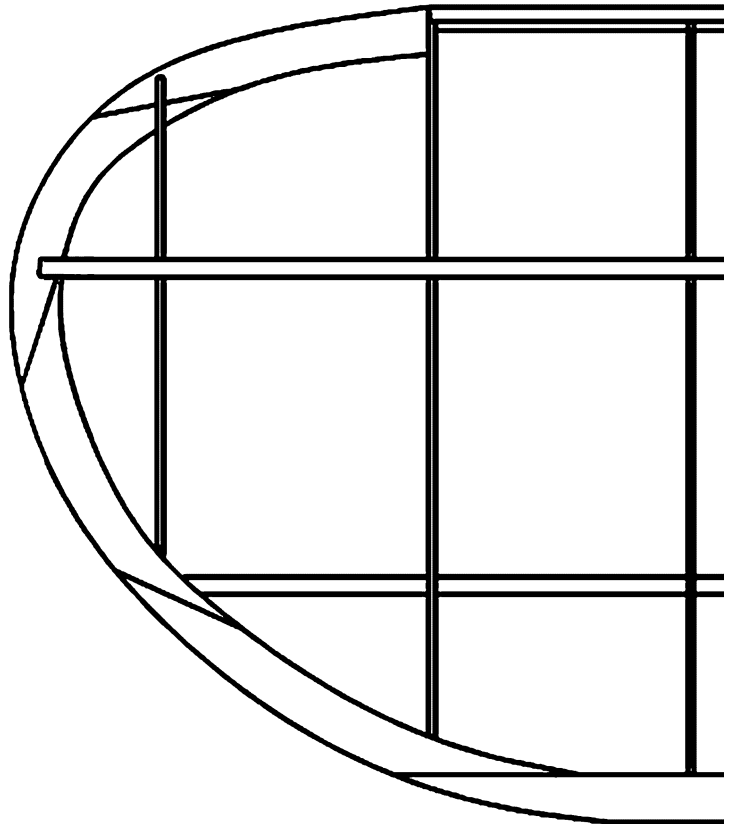


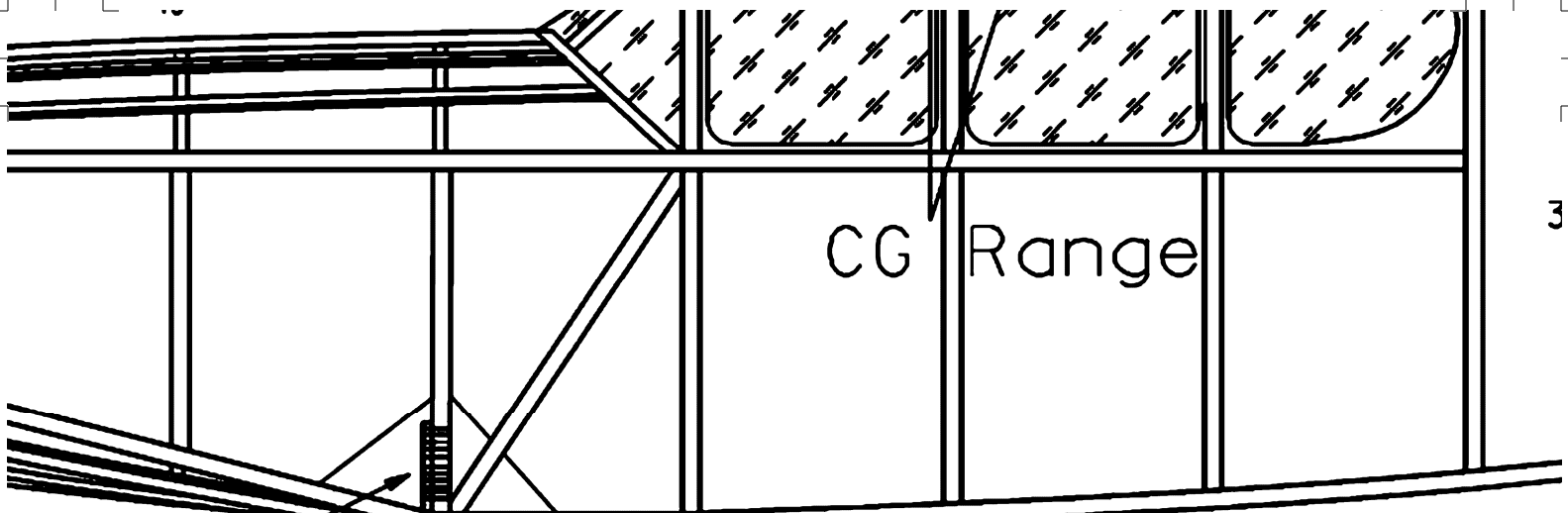


B2



B3

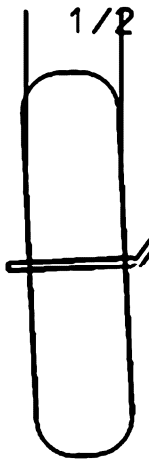




3

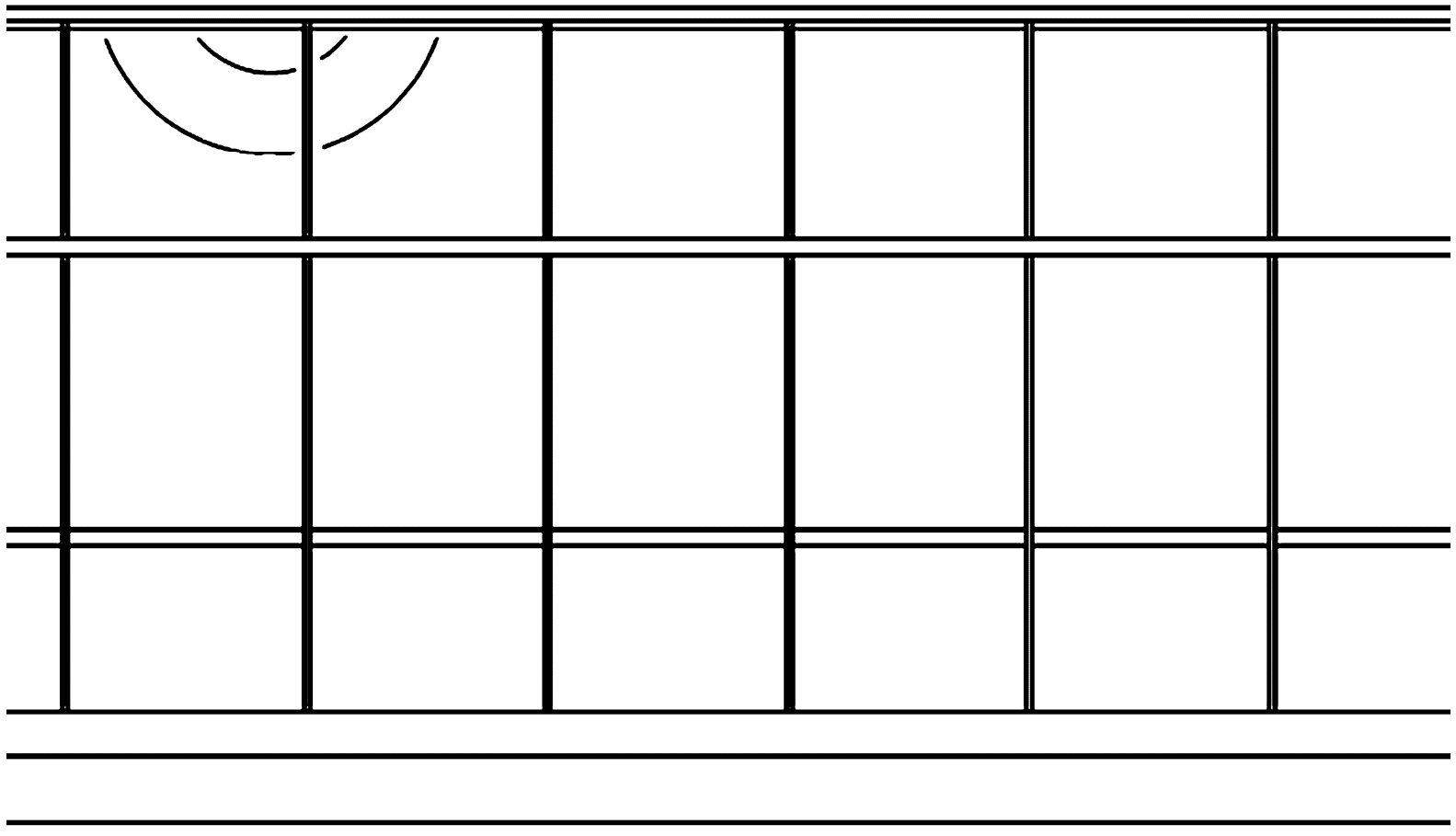
Wrap landing gear wire with thread and glue well. Then add angle braces.

Do not attach here. spread so this end will clear fus. when sprung back.



83

2.000



3/32" sq.

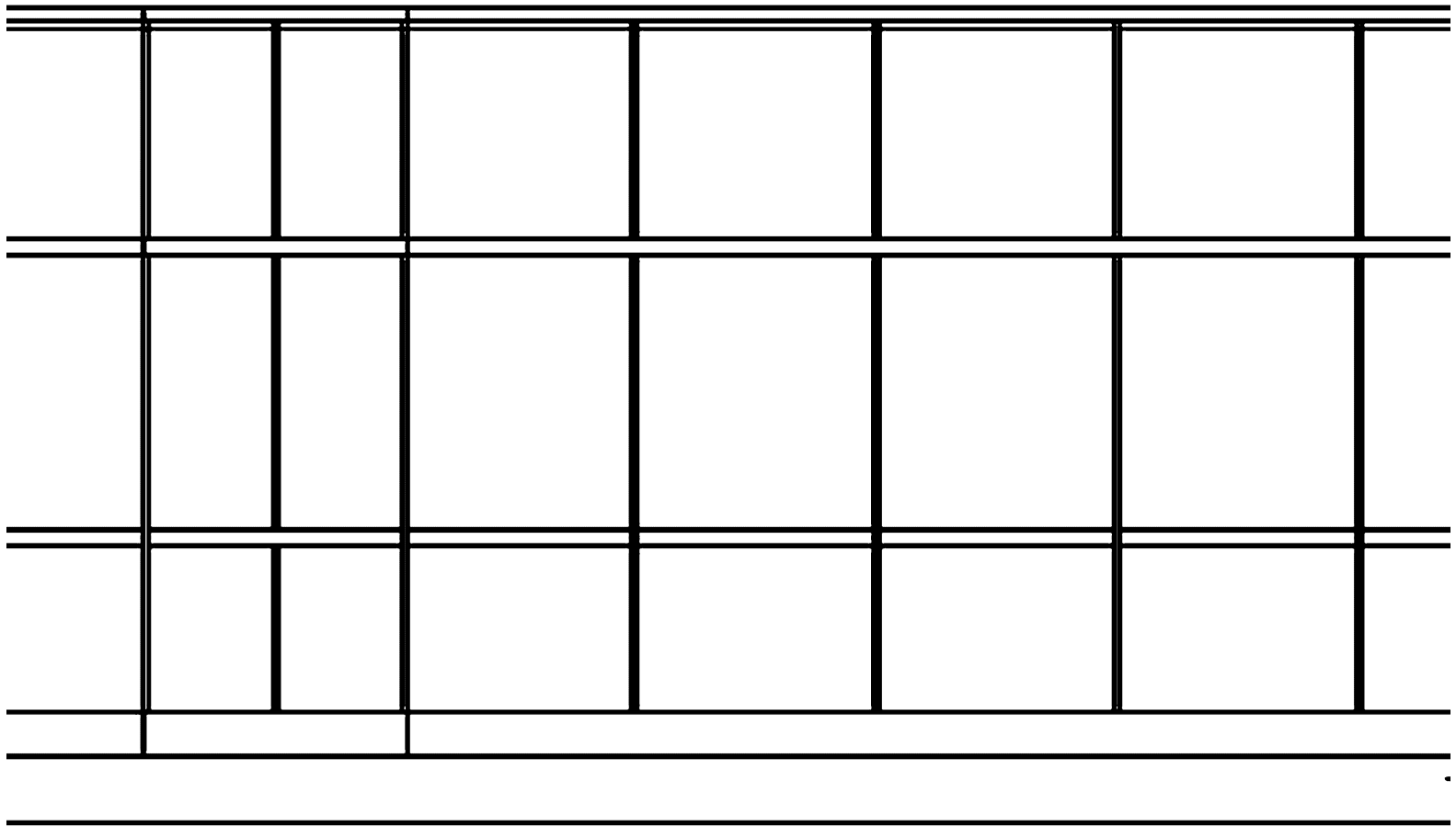
.047 wire

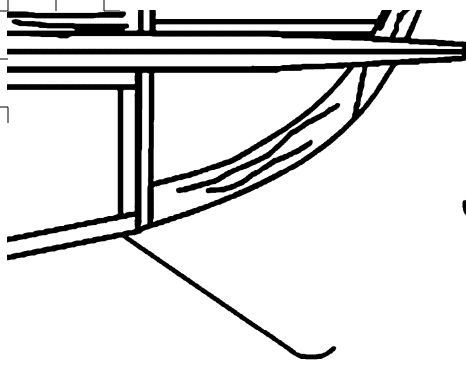
Typical stab &

1/2

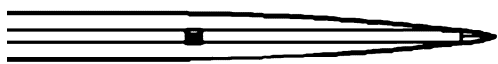
1/2

All ribs 1/20" or 1/16" balsa





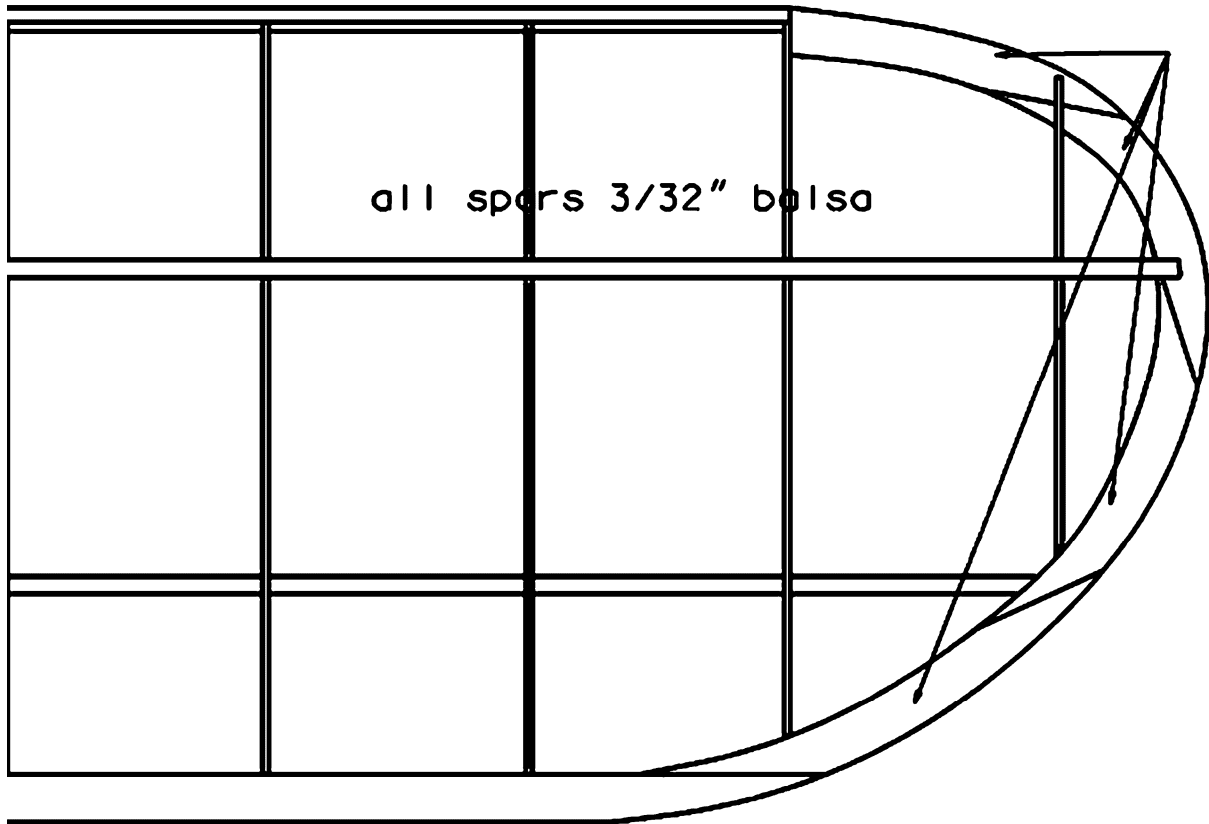
# JIMMIE ALLEN BA CABIN



stab & rudder crosssection

1 5/8" dihedral each tip

LE 3/32" sq. 1/16" balsa tips



all spars 3/32" balsa

TE 18"x1/4" balsa